

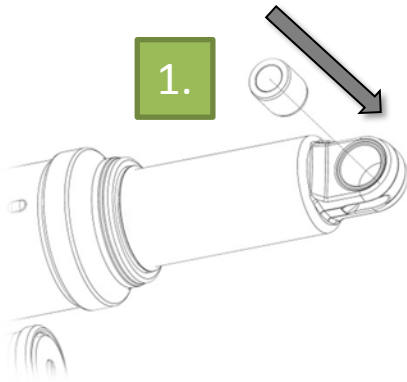
BikeYoke - Installation instructions and maintenance

• Attaching the BikeYoke to the shock

Before assembling your BikeYoke, please make sure your package contains all your Bikeyoke parts.

Your BikeYoke package comes with following parts:

- 1x BikeYoke
- 1x standard 12.7mm DU-bushing
- 1x DU bushing reducer
- 1x bolt M8

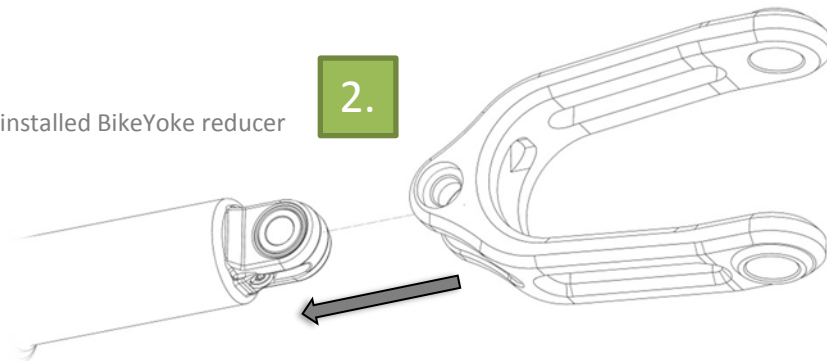


- Insert the BikeYoke bushing reducer into the rear eyelet of your replacement shock
- Remove your original shock/clevis unit from your bike
- Remove the original bushing reducer and spacers from your stock shock and install them into the front eyelet of the replacement shock

Note:

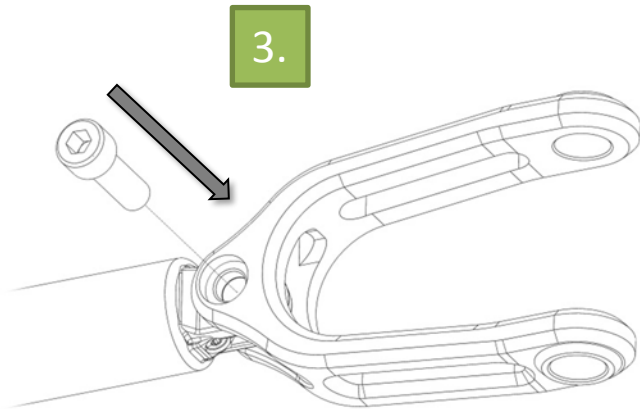
- If your replacement shock is used, you can still use your BikeYoke with the original DU-bushing, if it's not worn. Check the wear of your bushing by inserting the BikeYoke reducer in the bushing: You should NOT be able to insert the reducer by hand! You should need to use a vice or another appropriate tool to gently press it in.
- If your bushing is worn or not a standard DU-bushing, then replace it with the original BikeYoke DU-bushing.

- Slide the Bike Yoke onto the rear eyelet with the installed BikeYoke reducer



BikeYoke - Installation instructions and maintenance

• Attaching the BikeYoke to the shock



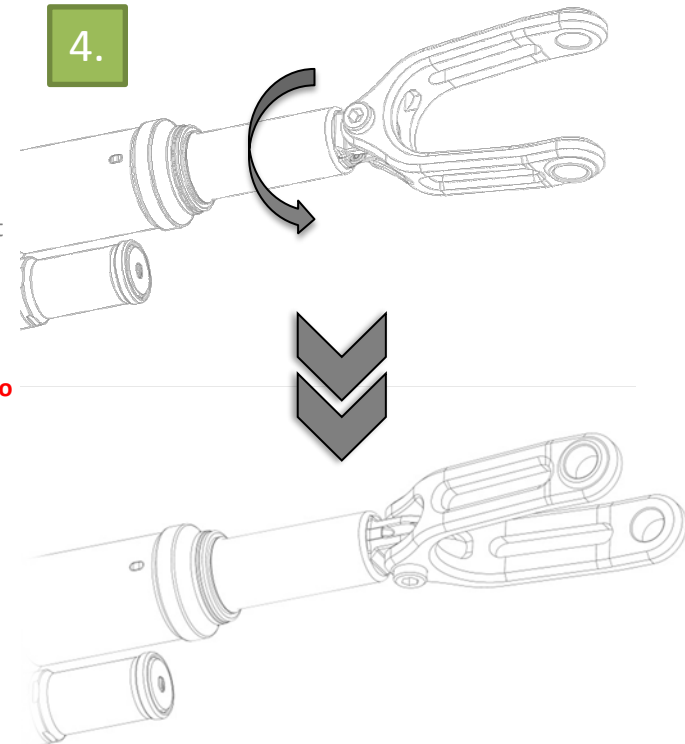
- Insert the M8 bolt and tighten with 14-16Nm

- Rotate your BikeYoke with attached shock body until the eyelet of the air can side is 90° to the eyelet of the damper body side.
- Install the shock + BikeYoke unit back into your bike. Refer to your owner's manual or your frame manufacturer for applying the correct torques.

ATTENTION: SX TRAIL BikeYokes must use the BikeYoke specific custom bolts to attach the BikeYoke to the SX Trail rockarm. Torque: 16Nm

- Setup your rear suspension and make sure there is no play between BikeYoke and shock.

Well Done! Have fun riding with your new BikeYoke!



BikeYoke - Installation instructions and maintenance

- Maintenance of your BikeYoke

It is very important to check your BikeYoke for proper installation and tight fit, to make sure it can function properly:

Before every ride:

- Check the bolts on your BikeYoke and on your suspension bolts for tight fit and for correct torque. Loose bolts can cause damage to the BikeYoke, to the frame and can ultimately also result in severe crashes!
- Check the bushing on your BikeYoke for play. If there is any play in your bushing, you need to replace your bushing and/or the bushing reducer.

After every 10 hours of riding:

- Inspect your Bikeyoke for any superficial damage like cracks or scratches, or extraordinary wear
- Inspect the bearings of your rear suspension and replace them if there is any play. Increased bearing play in your rear suspensjon can result in damage to your BikeYoke.

Before and during riding, always remember:

Safety first!!!

Check and make sure your BikeYoke and your Bike are properly serviced and maintained!